

2022



the right support

A large, faint, light-grey circular graphic is centered on the page. It depicts a technical drawing of a mechanical component, possibly a bearing or a hub, with various slots, grooves, and a central circular feature. The text 'BalancePro' is overlaid on this graphic.

# BalancePro

PEDESTAL LINE

MADE IN ITALY



TESTA  
AUTOLIVELLANTE  
SELF-LEVELING  
HEAD



REGOLABILE  
DALL'ALTO  
ADJUSTABLE  
FROM ABOVE



6 PRODOTTI  
25÷1025 MM  
6 PRODUCTS  
1÷40 INCHES



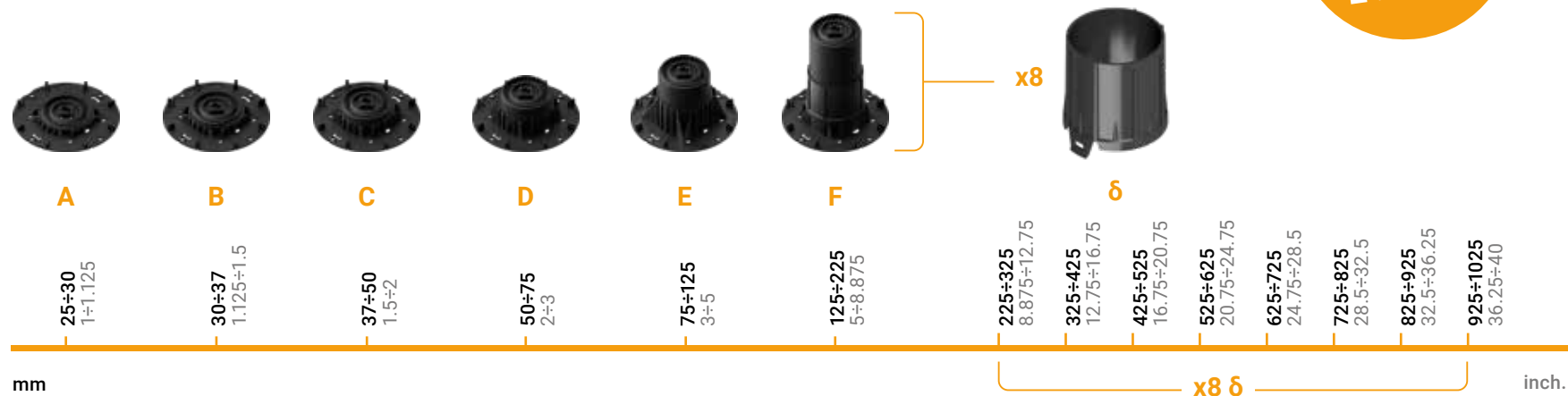
PLASTICHE RICICLATE  
E RICICLABILI  
RECYCLED AND  
RECYCLABLE PLASTICS



PER PAVIMENTI  
TILE & DECKING  
FOR TILE AND  
DECKING FLOORS

# Una gamma completa da 25 a 1025 mm

## A COMPLETE RANGE FROM 1 TO 40 INCHES



## Tile & Decking



TILE

HEXAGONAL TILE

RAIL

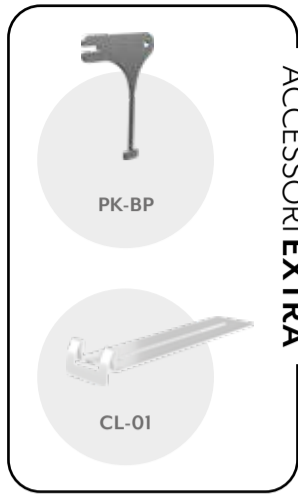
DECKING

### TOP KEY

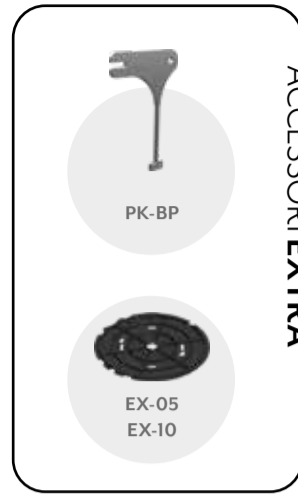
Chiave per la regolazione dall'alto  
dei supporti  
Key for support adjustment  
from the top



# 1 TILE BP400

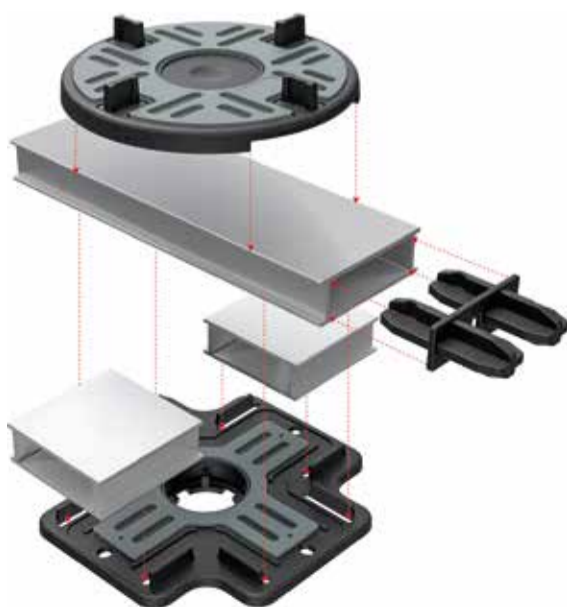


# 2 HEXAGONAL TILE BPY40



# 3 RAIL 60 TILE BPH00

DOPPIA ORDITURA PLANARE  
DOUBLE SUBSTRUCTURE



# 4 RAIL 40 DECKING BPJ00

DOPPIA ORDITURA  
COPLANAR DOUBLE SUBSTRUCTURE



MADE IN ITALY • IMPERTEK.COM



IMPERTEK Srl

via Po 507 · 30022 · Ceggia · Venezia · Italy  
T +39 0421 322 525 r.a · F +39 0421 322 756  
info@impertek.com · www.impertek.com